

# FTC150 Transmitter

## Fast thermal conductivity analyzer

# Operating Manual



# About this Manual

Thank you for using the Messkonzept FTC150. It has been designed and manufactured using highest quality standards to give you trouble-free and accurate measurements.

© Copyright Messkonzept GmbH 2024.

This document is protected by copyright. Neither the whole nor any part of it or the information contained in it may be adapted or reproduced in any form except with the prior written approval of Messkonzept. All information of technical nature and particulars of the product and its use (including the information in this manual) are given by Messkonzept in good faith. However, it is acknowledged that there may be errors or omissions in this manual. Images and drawings may not be in scale. For the latest revisions to this manual contact Messkonzept or visit [www.messkonzept.de](http://www.messkonzept.de).

Messkonzept welcomes comments and suggestions relating to the product and this manual.

**Please Note!** The design of this instrument is subject to continuous development and improvement. Consequently, this instrument may incorporate minor changes in detail from information contained in this manual.

**Important!** In correspondence concerning this instrument, please specify the type number and serial number as given on the type label on the right side of the instrument.

All correspondence should be addressed to:

Messkonzept GmbH  
Niedwiesenstr. 33  
60431 Frankfurt  
Germany

Tel: +49(0)69 53056444  
email: [info@messkonzept.de](mailto:info@messkonzept.de)

[www.messkonzept.de](http://www.messkonzept.de)

Date of Release of this manual: November 21st, 2024

This manual applies to the: FTC150  
with article/version numbers A07\*B\*\*\***V002**  
using Firmware version > 2.007

# TABLE OF CONTENTS

---

1	Operator Safety .....	4
1.1	Symbols .....	4
1.2	Startup .....	4
1.3	Intended Use .....	5
2	Description .....	6
2.1	Principal of Measurement .....	6
2.2	Measurable gases and ranges .....	7
3	Mounting .....	7
3.1	Gas Flow.....	8
3.2	Gas Connection .....	8
4	Electrical Connection.....	9
4.1	Ground.....	9
5	Connection with the FTC150 Transmitter .....	10
5.1	Current Output .....	10
5.2	Digital Communication .....	10
5.2.1	SetApp 3.0 .....	10
6	Status LED.....	11
6.1	Normal Operation.....	12
6.2	Out of range.....	12
6.3	Maintenance Request .....	12
6.4	Warm-Up .....	12
6.5	Error.....	13
6.6	Performing Task / Calibrating.....	13
7	General Information on Test and Calibration .....	13
7.1	Offset and Gain Calibration .....	13
7.2	Performance Test .....	14
7.3	Gas Quality .....	15
7.4	Criteria for Test and Calibration .....	15
7.5	Performing Calibration .....	15
7.5.1	Remote controlled Calibration via serial interface RS232 .....	15
7.5.2	Calibration via Pushbuttons.....	15
7.5.3	Gas supply during calibration .....	16
8	Troubleshooting.....	16
8.1	Maintenance Request (Blue LED).....	16
8.2	Errors (red LED).....	17
8.3	Reset to factory settings.....	18

9	Specifications .....	19
9.1	Specifications of Thermal Conductivity Measurement .....	19
9.2	Conditions of The Sample to Be Measured .....	19
9.3	Environmental Conditions .....	20
9.4	Electrical Specification .....	20
9.5	Dimensions .....	21
10	Delivery scope .....	21
11	Appendix.....	22

# 1 OPERATOR SAFETY

---

## 1.1 SYMBOLS



### Warning!

“Warning” draws attention to application errors or actions that can lead to destruction of the device or even safety risks including the injury to persons or malfunctions.



### Note!

“Note” indicates an additional function or hint.

## 1.2 STARTUP



### Startup Safety Notes!

- Read and follow this manual for the installation! For the safe operation of the device, pay attention to all given instructions and warnings.
- Start operating the device only after it has been properly installed. A competent and authorized person is required for installation, connection, and operation of the device.
- Defective devices must be disconnected from the process! This applies for apparent damage to the device, such as physical damage, but also in the case of unclarified malfunctions in the operation. Disconnect the device from the process pneumatically (both gas inlet and gas outlet) and remove the power supply from the device.
- Make sure that the electric installation protection against accidental contact adheres to the applicable safety regulations.
- Pay attention to the local regulations and circumstances regarding electrical installations.
- Repairs may only be carried out by Messkonzept.

### 1.3 INTENDED USE

Messkonzept GmbH does not assume any liability in case of improper handling of the measuring device. Improper handling can cause hazards due to malfunction of the measuring device.

The FTC-series of gas analyzers offer high-precision measurement and detection of non-corrosive, dust-, condensate-, aerosol and oil mist-free gases (unless the design of the equipment is explicitly declared to be suitable for this purpose). Please contact [info@messkonzept.de](mailto:info@messkonzept.de) for detailed information and solutions.

No liquids should be presented into the gas stream at any point! Liquids will likely destroy the sensing element or affect its measuring properties permanently! If you accidentally inserted a liquid into the device, disconnect the device from its power supply and contact Messkonzept before operating the device again.

The specifications listed in the appendix of these operating instructions reflect the conditions under which the products described here should be operated. Individual requirements required for the customer's special measuring task are determined and recorded with the Measuring Task Questionnaire (Measuring Task 2.01.1FB180619MPL1V007). Requirements that are not specified by the customer in the questionnaire are not taken into account in the mandatory evaluation of the measuring task by Messkonzept GmbH. In the evaluation of the measurement task by Messkonzept GmbH, it is also recorded whether the measurement task can be carried out with the proposed devices. In addition, restrictions can be demanded by Messkonzept GmbH, which must then be implemented by the customer. These restrictions can include, for example, special conditioning of the measuring sample by filter measures and measuring gas coolers or specifications of the pressure and flow rate values.

FTC-series gas analyzers **do not have** a metrology marking in the sense of EU directive 2014/32/EU. Therefore, they cannot be used in medical or pharmaceutical laboratory analyses or in the manufacture of pharmaceuticals in pharmacies based on a doctor's prescription.

The device cannot be used in areas with an Ex-zone rating (hazardous areas of explosion protection).

**Flammable gases:** Depending on the design, the measuring device can be also suitable for the presence of flammable gases. This case can be found in the manufacturing protocol under the item "Glass bead filling". Measuring instruments with glass bead filling are also suitable for the presence of combustible gases. The interior of the housing is tightly filled with glass beads ( $\varnothing$  0.6mm). Due to the dense filling with the hard material, the volume that can be filled by a gas in the measuring device is reduced and segmented to such an extent that no explosive zone is created in the measuring device, even if there is a leak in the measuring gas tubes.

**Ignitable / Explosive gases:** Our gas detectors are designed in such a way that gases that are up to temperature class T3 will not ignite if operated properly; the maximum surface temperature is below 200 °C. Users of our gas detectors must always carry out an individual risk assessment before such use, from which the necessary protective standards are to be derived and implemented. The use of flame arresters as part of the individual concept for handling ignitable mixtures is strongly recommended. If desired, we will be pleased to submit an individual offer to you if you require flame arresters. Please use only devices with the glass bead filling option described above even with this hazard.

Check the function and tightness of your gas detector. Test the connections and piping and the protective devices after installation and then at regular ranges during operation, especially in the state of severe stresses, such as shocks, vibrations, and corrosive attacks

from inside or outside. If you detect or suspect a malfunction in one of our gas detectors or the protective device, immediately disconnect the affected gas detector from the power supply and stop the gas supply immediately.

The housing of the FTC150 must never be opened, especially in the case of devices filled with glass beads. After opening, the necessary filling density is no longer given. The warranty becomes obsolete if you open the housing of the FTC150.

The device and cables must be effectively protected from damage and from UV light (protective roof when installed outdoors).

The gas path inside the device is free of oil and grease and suitable for applications with pure oxygen ("Cleaned for Oxygen"). For such applications, contamination, like that caused by the presence of not oil-free compressed air, must be avoided.



**Note!**

Keep this manual for future use!

## 2 DESCRIPTION

---

The transmitter FTC150 is a highly precise and stable Thermal Conductivity Detector (TCD).

For indication of the signal, a 4mA to 20mA analog output is provided. Also, the digital interface (RS232 or RS485) can be used to read out the gas concentration.

### 2.1 PRINCIPAL OF MEASUREMENT

The thermal conductivity of a gas mixture depends on the individual gas components and on the composition of the mixture. Under certain conditions the concentration of individual gas components can be determined by measuring the thermal conductivity. In other cases, the identification of certain properties of gases is of special interest e.g., for quality control or safety reasons. Often these properties are related to thermal conductivity and hence identified. The concentration can be determined with high precision if one of the following conditions is met:

- The gas mixture consists of only two components, for example measuring CO<sub>2</sub> in N<sub>2</sub> or H<sub>2</sub> in N<sub>2</sub>.
- The gas mixture consists of more than two components but only concentrations of two components vary.
- The thermal conductivity of two of three components is similar, e.g., measuring H<sub>2</sub> or He in a mixture of O<sub>2</sub> and N<sub>2</sub>.

## 2.2 MEASURABLE GASES AND RANGES

The FTC150 is specifically set up and calibrated for the gases and ranges that are part of the system of the device. The following list shows a selection of the most commonly used gas pairs and the possible measuring ranges given in Vol.%.

Measuring Gas	Carrier Gas	Basic range in Vol.%	Smallest range in Vol.%	Smallest range at end point in Vol.%
H <sub>2</sub>	O <sub>2</sub>	0% - 100%	0% - 0.5%	98% - 100%
H <sub>2</sub>	N <sub>2</sub> or air	0% - 100%	0% - 0.5%	98% - 100%
H <sub>2</sub>	Ar	0% - 100%	0% - 0.4%	99% - 100%
H <sub>2</sub>	He	20% - 100%	20% - 40%	85% - 100%
H <sub>2</sub>	CH <sub>4</sub>	0% - 100%	0% - 0.5%	98% - 100%
H <sub>2</sub>	CO <sub>2</sub>	0% - 100%	0% - 0.5%	98% - 100%
He	N <sub>2</sub> or air	0% - 100%	0% - 0.8%	97% - 100%
He	Ar	0% - 100%	0% - 0.5%	98% - 100%
CO <sub>2</sub>	N <sub>2</sub> or air	0% - 100%	0% - 3%	96% - 100%
CO <sub>2</sub>	Ar	0% - 100%	0% - 20%	50% - 100%
Ar	N <sub>2</sub> or air	0% - 100%	0% - 3%	97% - 100%
Ar	CO <sub>2</sub>	0% - 100%	0% - 50%	80% - 100%
CH <sub>4</sub>	N <sub>2</sub> or air	0% - 100%	0% - 2%	96% - 100%
CH <sub>4</sub>	Ar	0% - 100%	0% - 1.5%	97% - 100%
O <sub>2</sub>	H <sub>2</sub>	0% - 100%	0% - 2%	99.5% - 100%
O <sub>2</sub>	N <sub>2</sub>	0% - 100%	0% - 15%	85% - 100%
O <sub>2</sub>	Ar	0% - 100%	0% - 2%	97% - 100%
N <sub>2</sub>	Ar	0% - 100%	0% - 3%	97% - 100%
N <sub>2</sub>	CO <sub>2</sub>	0% - 100%	0% - 4%	97% - 100%
NH <sub>3</sub>	H <sub>2</sub>	0% - 100%	0% - 5%	95% - 100%
CO	H <sub>2</sub>	0% - 100%	0% - 2%	99.5% - 100%
SF <sub>6</sub>	N <sub>2</sub> or air	0% - 100%	0% - 2%	96% - 100%

Other gases and ranges are available or can be provided upon request.

## 3 MOUNTING

The FTC150 is designed for wall fastening. M4 cylinder head bolts fit for the four mounting holes. See the Appendix at the end of this document for a detailed dimension drawing. Please take note of the needed clearances for the gas duct and the cable. Chapter 9 shows the hole pattern.

The device may be mounted in any orientation in the room. An upright alignment as shown in Figure 1 is preferable.



If you are planning to put flammable or toxic gases into the device, the device must be installed in a well-ventilated area. All devices undergo a leakage test during production, nevertheless a limited release of small gas quantities is possible.

### 3.1 GAS FLOW

The recommended flow rate depends on the variant used. The low-flow variant is suitable for flow rates of a few liters per hours up to 40l/h. The regular device is best in the range between 40l/h and 80l/h. Up to 300l/h are possible with the "protected against condensate and dust" variant. For details, please refer to the specifications in chapter 7.2..

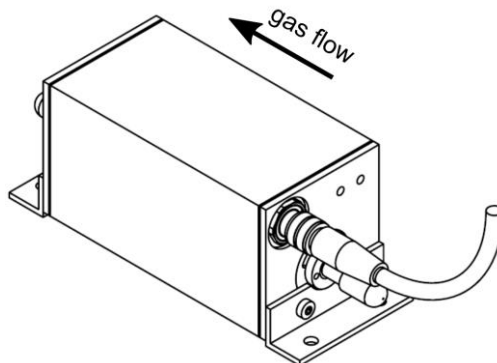


Figure 1 - Preferred flow direction through the FTC150.

### 3.2 GAS CONNECTION

Gas inlet and outlet tubes - as well as the body - are made of stainless steel (1.4404 – 316L). The outer diameters of the tubes are 6mm. As shown by the gas flow direction in Figure 1 the gas input should be at the electrical connector's side.

The gas must not contain dust, condensate, and potentially condensing matter unless the design of the equipment is explicitly declared to be suitable for this purpose. The inner gas duct is heated up to 63°C - a higher temperature version is available on demand. With use of properly heated lines and connections, a dew point up to 55°C is permissible. Please contact Messkonzept if you require further information.



#### **Warning!**

Condensate will destroy the sensing element immediately (condensate tolerant version on request).



## 4 ELECTRICAL CONNECTION

The FTC150 has an 8-pin connector for which the cable is provided by Messkonzept with the device. Table 1 describes the functions of each pin of the 8-pin connector, see also Figure 2 below:

Table 1: Description of the 8-pin connector.

Pin No.	Color coding	Function	Description
1	white	Current Loop - (return)	Return for Pin 8
2	brown	Ground	GND for pin 3, 4, 5
3	green	Serial Interface RS232	RxD (receive)
4	yellow	Power Supply	+ 24V DC(18 V - 30 V), max. 700mA
5	grey	Serial Interface RS232	TxD (transmit)
6	pink	<b>B</b> (RS-485)	
7	blue	<b>A</b> (RS-485)	
8	red	Current Loop + (send)	4 to 20mA, floating, isolated $\pm 500V$ to ground, max. 800 Ohm burden, 16-bit resolution

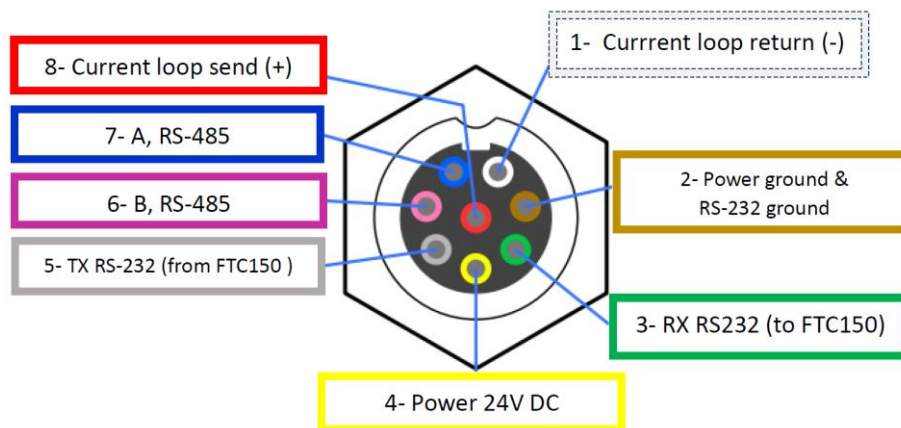


Figure 2 - Pinout of the FTC150

### 4.1 GROUND

The cable shield should be connected to functional ground. Depending on the circumstances gas inlet and gas outlet might need to be connected to ground also.

To comply with EN 60204-1 and to ensure your device's function, the device has to be installed such that GND on the low-voltage side of your 24V power supply is connected to protective earth (PE). Some power supplies are internally wired like this already.

Connections to ground should be made with low-resistant, large diameter, short cables to one neutral point.

## 5 CONNECTION WITH THE FTC150 TRANSMITTER

### 5.1 CURRENT OUTPUT

The FTC150 is equipped with an active and potential free current output. Active output means, that no external power source is required to drive the output. If not stated otherwise, the current mode is configured as a 4-20mA output, following the NAMUR recommendation NE43 as shown in Figure 3.

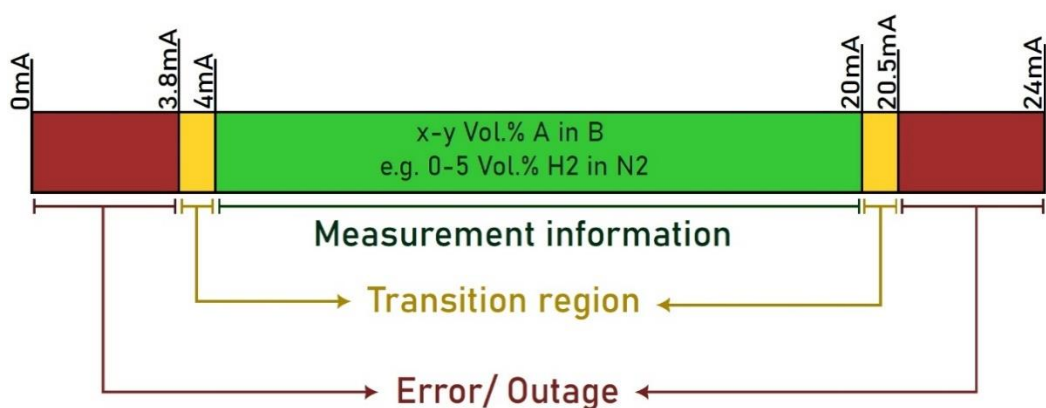


Figure 3 - Specification of current output according to NAMUR recommendation NE43

The measuring range of your device, as indicated e.g. on the device's type label, is mapped onto the current output (4-20 mA), see green region in Figure 3. If the measured value exceeds the range slightly below or above range, there is still a valid measurement information, see yellow region. The signal indication below / above range is cut at 3.8mA or 20.5mA respectively. An error is indicated by a 3mA signal.

Messkonzept can also preconfigure the output differently following specific customer requests. The output configuration can be changed by the customer via digital communication, see below.



#### **During warm-up, the current output will indicate an error (3 mA)**

While warming up, the FTC150 is unable to provide a reliable measurement information. This is indicated through a current of 3 mA on the output (unless specifically configured otherwise).

### 5.2 DIGITAL COMMUNICATION

The FTC150 is equipped with an RS232 interface that allows reading out of measurement values and configuration the device parameters. A dedicated manual explaining relevant device parameters is available. Please ask Messkonzept for further information.

#### 5.2.1 SetApp 3.0

Messkonzept offers the free Windows 10/11 based software SetApp 3.0, which can be used to interface with the FTC150 more easily. Please note that the prior software version (SetApp 2.0) may not be used with the FTC150!

SetApp3.0 offers the following features:

- Calibration and adjustment of the test gas concentrations used.
- Plot and log the measured gas concentration and other device parameters.

- comfortable calibration of the device through the user interface
- Backup feature to save or restore the device configuration.
- Changing of other device parameters (proceed with caution, and revise the Serial Communication manual mentioned above)

The SetApp 3.0 can be found in the download section on the Messkonzept website.

## 6 STATUS LED

The multi-colour LED next to the gas inlet of the FTC150 indicates the status of the unit through different colours and flashing patterns.

Figure 4 shows all the possible statuses and how they are represented by the LED in increasing priority. The priority is relevant if more than one status condition applies - then the LED will only indicate the status with the highest priority (lower in the list).

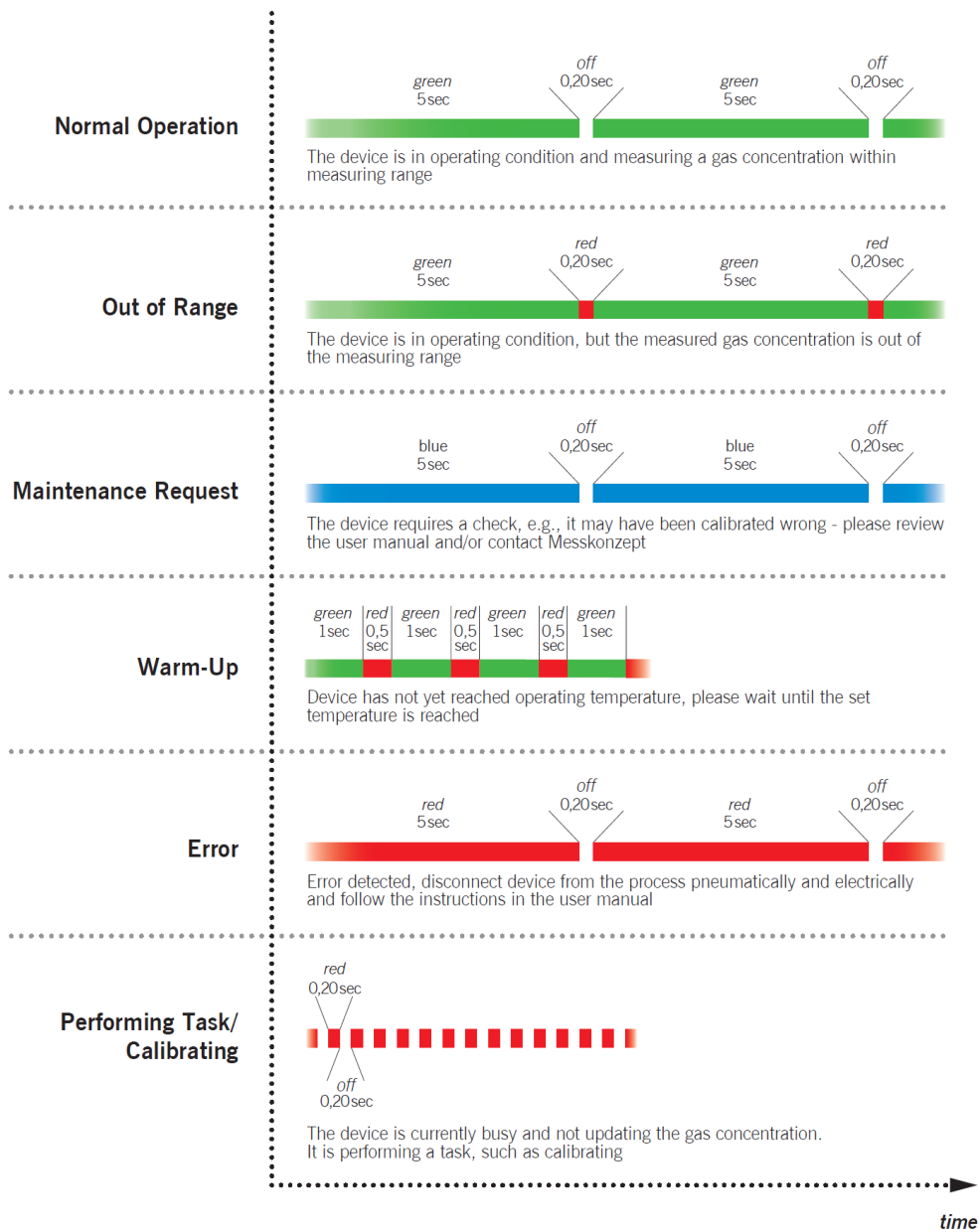


Figure 4 - The device status of the FTC150 can be read from the multicolor LED

## 6.1 NORMAL OPERATION

In normal operation, when the FTC150 is measuring a gas concentration within the measuring range, the LED will show a green light, briefly turning off every 5 seconds. This is to indicate that the instrument is running and measuring as expected.

## 6.2 OUT OF RANGE

This status is displayed when the FTC150 is supplied with a gas concentration outside the measuring range for which it is calibrated. The LED will indicate this with a green light, briefly interrupted by a red light every 5 seconds.

The threshold for displaying the out of range status is related to the current signal of the 4-20 mA output in its default configuration, see Figure 3. If the current signal is at one of the cut-off points at 3.8 mA (below range) or 20.5 mA (above range), the out of range condition applies.



### Other components than expected?

As thermal conductivity measurement is not selective, the out of range condition may be caused by the introduction of a gas for which the instrument has not been calibrated for. For example, if the instrument is calibrated for H<sub>2</sub> in O<sub>2</sub> in the 0 - 5 Vol.% range, the out of range condition will occur if N<sub>2</sub> gas is introduced into the instrument. N<sub>2</sub> has lower thermal conductivity than O<sub>2</sub> - in the 0 - 5 vol% H<sub>2</sub> in O<sub>2</sub> range. To the sensor, pure N<sub>2</sub> will therefore look like a negative reading of approximately -1.7 vol%, well outside the range indicated by the instrument.

## 6.3 MAINTENANCE REQUEST

The Maintenance Request status is used to warn of a possible deviation in instrument performance that requires attention. The Maintenance Request status is set immediately after a calibration if the calibration result is not plausible. This usually occurs if a different gas is used for calibration than the instrument is configured for, or if the gas concentration was unstable/changing during the 10 seconds of calibration sampling.

See Section 8.1 for a list of all possible conditions that can trigger a Maintenance Request status.

## 6.4 WARM-UP

After connecting the FTC150 to a power supply, the unit will need to warm up to reach its operating temperature, which is typically 63°C. In normal ambient temperatures this takes only a few minutes. If the set temperature has not been reached within 20 minutes of power-up, the status LED will indicate an error status (see below).

Through the 4-20mA current output, the warm-up status is always considered an error condition (signaled by 3mA), as the measurement will not work to specification until the operating temperature is reached.

## 6.5 ERROR



### Warning!

If you see an error indication, disconnect the device from the process pneumatically and electrically before considering any further steps - this is especially important if measuring flammable or otherwise dangerous gases! We advise you to contact Messkonzept to discuss the next steps.

See Section 8.2 for a list of all conditions that may trigger the error status indication.

## 6.6 PERFORMING TASK / CALIBRATING

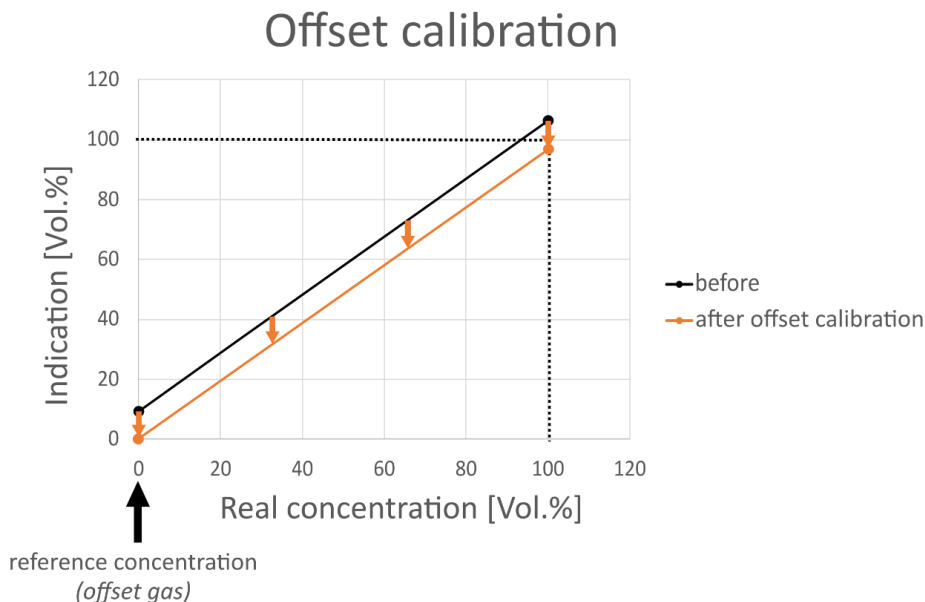
The Status LED will flash red during calibration sampling or other tasks that interrupt typical instrument operation. While the instrument is busy, it may not give correct/plausible readings. Please wait a few seconds for the task to complete.

# 7 GENERAL INFORMATION ON TEST AND CALIBRATION

This section explains how the readjustment of the device should be planned and carried out on site. Different installation, dew point, pressure, flow rate and test gas quality can lead to a shift in the indication right from the start. In addition, the reading may vary by 2% of the smallest measuring range per week, e.g., measuring H<sub>2</sub> in N<sub>2</sub>, the drift per week may be 100 ppm.

## 7.1 OFFSET AND GAIN CALIBRATION

The aim of calibration is to ensure that the measured concentration matches the specified test gas concentration. This is achieved by the correct adjustment of two calibration parameters, called "offset" and "gain", which correspond to the ordinate intercept and the slope of a linear equation calculated in the device. Figure 5 explains how offset and gain correction works.



### Gain calibration after offset calibration

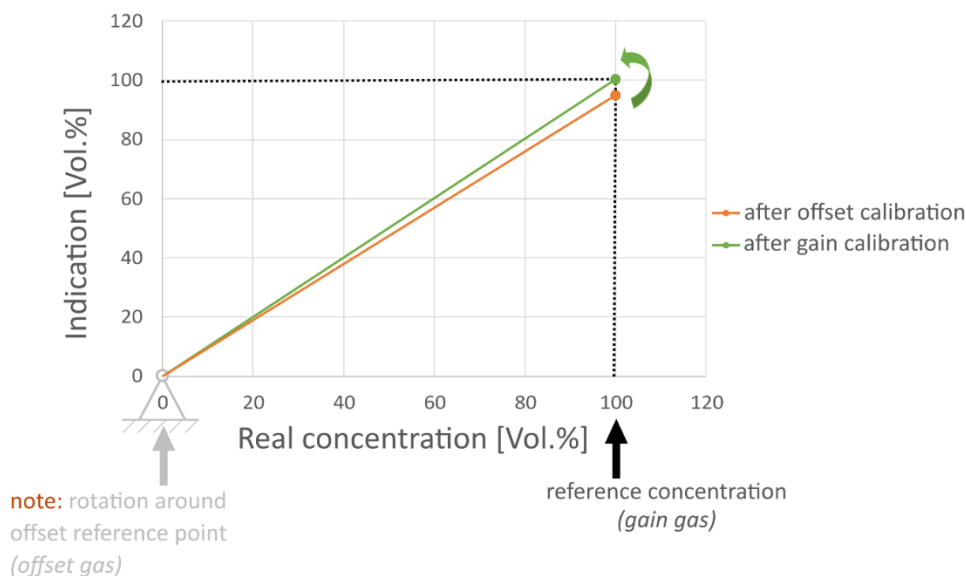


Figure 5 - Effect of offset and gain calibration on the indicated gas concentration.

For a determination of offset and gain, a two-point calibration must be performed. The concentration of the offset test gas should be close to the start-point of the measurement range. The test gas concentration of the span test gas should be close to end-point of the measuring range; a difference of  $\pm 10\%$  of the measuring range from the start- or end-point is permissible.

For instance, when measuring  $H_2$  in  $O_2$  at a measuring range from 0 Vol.% – 100 Vol.%, use pure  $O_2$  as offset test gas and pure  $H_2$  as the span test.

A two-point calibration always requires an offset calibration directly before a gain calibration!

A one-point calibration, in which only a new offset value is determined, is sufficient in most cases. It is suitable for correcting drift or changes in operating parameters such as flow rate, pressure, or dew point. Compared to the offset, the gain is stable over years and practically unaffected by changes in flow or pressure.

In the case of an offset calibration without subsequent gain calibration, a test gas of any concentration in the measuring range can be used, but must be configured in the FTC150 before starting the offset calibration routine.



#### Preset values of offset gas and gain gas

If not requested otherwise by the customer, the test gas concentration values in the FTC150 are always preconfigured to the beginning (offset gas) and end (gain gas) of measuring range.

## 7.2 PERFORMANCE TEST

During a performance test, the response of the device to a test gas that is within the measuring range is monitored and recorded. In contrast to a calibration, the settings of the device are not changed. An inspection of the recorded performance test might uncover phenomena that can be obscured by repeated calibration. This applies, for example, to a persistent signal drift or a periodicity in the signal curve due to unsteady flow, pressure, or dewpoint.

The correct indication of the test gas is almost always sufficient to prove that the device is working properly.

### 7.3 GAS QUALITY

A test gas of sufficient quality for your application should be used for performance testing and calibration. For calibration, Messskonzept uses gases with the following purities:

H <sub>2</sub>	He	N <sub>2</sub>	Ar	O <sub>2</sub>	CO <sub>2</sub>	CH <sub>4</sub>
5.0	5.0	5.0	4.6	4.5	4.5	3.5

The gas purities are selected so that the devices comply with the specifications for the smallest measuring ranges. Messskonzept recommends gases of the same purity for on-site calibration. If your own requirements differ, please choose the appropriate gas purity. Please contact Messskonzept if you would like advice on choosing test gases.

### 7.4 CRITERIA FOR TEST AND CALIBRATION

Carry out a test or calibration under - as far as possible - similar physical conditions to those used for the measurement, e.g. pressure, flow, temperature, filtration, dew point, etc.

A performance test and, if necessary, calibration with test gases is required if one of the following criteria is met:

- After new installation of the device or after it was serviced
- After changes to the sample preparation system and outlet that affect, for example, pressure, flow, temperature, filtration, dew points, etc.
- In a regular cycle, depending on the desired accuracy - but at least once a year! To determine the appropriate time interval, we recommend starting with a more frequent recorded performance test and determining the optimum interval from these results. The time between tests/calibrations can be in the range of:
  - months for a measurement task in the basic or medium measuring ranges
  - days to weeks for small measurement (low- or sub-vol%) ranges
  - directly before each measurement if maximum accuracy is required.

### 7.5 PERFORMING CALIBRATION

#### 7.5.1 Remote controlled Calibration via serial interface RS232

Adjustment of the test gas concentrations used, and calibration is possible most easily using the free Windows app "SetApp 3.0". Please revise chapter "Calibration" in the manual "SetApp 3.0: Laboratory Software".

A terminal emulator, e.g. Tera Term, can be used for adjustment of the test gas concentrations used and activating of the calibration. Please contact Messskonzept for the structure of the necessary command.

#### 7.5.2 Calibration via Pushbuttons

The transmitter is equipped with two hidden buttons on the front. To trigger the buttons, press for five seconds using a blunt rod with a maximum diameter of 2.5mm. The button "Offset" activates the offset calibration. The button "Gain" activates the gain calibration.

In production all devices are preconfigured such, that the Offset is calibrated by gas concentration at the beginning of the range and the Gain is calibrated at the end of the range. E.g. a device measuring 0-5 Vol.% H<sub>2</sub> in O<sub>2</sub> is preconfigured such that the offset calibration

button can be used to calibrate the zero point at 100 Vol.% O<sub>2</sub> and the gain calibration button can be used to calibrate the span at exactly 5 Vol.% H<sub>2</sub> in O<sub>2</sub>. If you wish to use different gas concentrations than these, these values must be manually configured via the digital communication interface, see above.

If the test gas composition to be used does not match the values set in the device, the concentrations must be entered into the device. This must be done via serial communication, see 6.5.1.



#### **Preset values of offset gas and gain gas**

If not requested otherwise by the customer, the test gas concentration values in the FTC150 are always preconfigured to the beginning (offset gas) and end (gain gas) of measuring range.

### **7.5.3 Gas supply during calibration**

Ensure that the appropriate test gas has fully entered the device before performing an offset or gain calibration. You should monitor the signal for stability to ensure this. After activating the calibration by pressing one of the buttons or sending the corresponding command via the serial interface, a sampling phase of 10 seconds begins. Keep the gas supply stable and continuous during this phase.



#### **Note!**

Always do an offset calibration first before doing a gain calibration!

In most cases an offset calibration alone is sufficient for the proper performance of the device! First check if there is a deviation before possibly calibrating!



#### **Note!**

It is possible to deactivate the buttons by changing a device parameter via the digital communication. Contact Messkonzept if you require assistance.

## **8 TROUBLESHOOTING**

---

The following information is intended to help troubleshoot problems during operation of the FTC150. If you require further assistance, please contact Messkonzept. We will be glad to help you!

### **8.1 MAINTENANCE REQUEST (BLUE LED)**

If the status LED on the FTC150 shows a blue light, a Maintenance Request warning is active. This warning will appear if something went wrong during calibration.

**The unit will probably not measure correctly until the issue is resolved!**

Table 2 shows the possible reasons for a Maintenance Request warning.



Maint. Req. Category	Condition triggering the Maint. Req.
Calibration Variation	The measured concentration varied more than 1000 ppm during calibration sampling.
Calibration Deviation	Calibration deviation (comparing before/after calibration) exceeds max. allowed range of 5 Vol.%
Calibration Offset	Calibration offset value exceeding max. allowed range equalling ~50 mV raw signal
Calibration Gain	Calibration gain value exceeding max. allowed range 0.5 - 1.5
Factory Set not set	The factory settings are not stored, it is not possible to reset to factory settings.

Table 2 - List of all possible causes for a maintenance request warning (blue LED)

There are several ways to resolve a maintenance request warning:

- Retry the calibration by following the instructions given in chapter 7
  - If successful, the LED should show the “Normal Operation” status (green LED) afterwards
- Reset the device to factory settings, see Section 8.3
  - Note: This will overwrite not only the calibration, but also other device settings back to the factory settings.
  - If successful, the LED should show the “Normal Operation” status (green LED).

**Always verify the device performance using test gases before resuming operation in the process!**

If the blue LED shows without you having triggered a calibration routine or if a factory reset does not resolve the issue, please contact Messskonzept.

## 8.2 ERRORS (RED LED)



### Warning!

If you see an error indication, disconnect the device from the process pneumatically and electrically - this is especially important if you are working with flammable, toxic or otherwise dangerous gases! We advise you to contact Messskonzept to discuss the next steps.

The FTC150 constantly performs self-checks for errors that may affect the correct operation of the unit. All errors that can be detected in the FTC150 are listed in Table 3. The first line of the table, "BT MIN WARMUP", is a non-critical case that occurs only temporarily during the warm-up period - it is indicated by a green-red flashing LED. However, warm-up is still considered as an error via the 4-20mA current output (shown by 3mA), because measurement is not possible until the operating temperature has been reached.

A common cause of failure is a broken sensor element (TC SENS ERR) – for example due to liquids, such as water droplets/condensate, accidentally introduced into the device. In this case the device will need to be sent to Messskonzept for replacement of the sensor element and recalibration.

Error Category	Condition triggering the Error
<i>BT MIN WARMUP (shown by green-red blinking LED)</i>	After connecting the FTC150 with a power supply, the device must first warm up to reach the operating temperature of typically 63 °C. If the temperature cannot be reached within 20 minutes, this error shows as a BT MIN ERR (red LED indication).
BT MIN ERR	Block temperature is below operating temperature.
BT MAX ERR	Block temperature is above operating temperature.
TC SENS ERR	TC-signal outside allowable range of 1-7 V. This error occurs when the sensor element is broken.
EEPROM ERROR	Error reading or writing data from/to the internal Flash-EEPROM.
BT SENS ERR	The sensor reading the block temperature has a malfunction.
POTI ERROR	The potentiometer used for temperature regulation of the TC sensor's membrane temperature has a malfunction.

Table 3 - List of all Error cases monitored by the FTC150



### Warning!

If you want to perform tests on a device showing an error (red LED), or if you need to read out the device configuration (parameter list) for remote troubleshooting by Messkonzept, operate the faulty device only in an environment free of flammable, toxic gases or liquids, etc.

Never leave a faulty appliance switched on unattended, as unknown electrical faults may cause a potential fire hazard!

### 8.3 RESET TO FACTORY SETTINGS

The FTC150 can be reset to its original factory settings, as configured and calibrated by Messkonzept, by pressing both buttons simultaneously for five seconds. Please note that this will overwrite all customer configurations, including calibrations!

Resetting to factory settings takes approximately 10 seconds, during which the Status LED will flash red rapidly. **Do not disconnect the power supply while the reset is in progress!**

After the factory reset, the unit will restart and resume operation.

## 9 SPECIFICATIONS

---

### 9.1 SPECIFICATIONS OF THERMAL CONDUCTIVITY MEASUREMENT

Warm-up time	approx.. 20 min; 1 h for small range
T90-time at recommended flow value and user selected filter < 0.5 sec <sup>^</sup>	< 1 sec for variant A070B900 < 2 sec for other variants
Drift at zero point	< 2 % of smallest range per week
Drift of span	usually negligible
Linearity	< 1 % of range
Noise	< 1 % of smallest range
Repeatability	< 1 % of range
Error due to change in ambient temperature	< 1 % of smallest range per 10 °C
Error due to change of flow within recommended flow range	< 1 % of smallest range
Error due to change of pressure (above 80kPa = 800 mbar)	< 1 % of smallest range per 1 kPa (10 mbar)

Note: The values given above may vary for some gas pairs.

Note: T90 time for all variants is close to 1 sec when at least one light gas is involved.

### 9.2 CONDITIONS OF THE SAMPLE TO BE MEASURED

Temperature of the sample at recommended flow value	max. 80°C at 25°C ambient temp. max. 50°C at 50°C ambient temp.
Gas pressure (absolute)	80kPa (0,8 bar) to 1000 kPa (10 bar) flammable gases max. 300kPa (3bar)
Corrosive gas	avoid, variants A070B901/B903/B908 have corrosion tolerant design
Contamination with dust, aerosols, oil mist, fluids, drops	avoid, variants A070B902/B907/B908 have contamination tolerant design
Humidity	Avoid condensing in the pipes/device, variants A070B902/B907/B908 have condensate tolerant design

Note: Corrosion-tolerant does not mean fully corrosion-resistant, contact Messkonzept for more information.

Note: Evacuating the device is allowed

<u>Article No.:</u>	<u>Calibration</u>	<u>Protection</u>	<u>Flow at Atmospheric Pressure</u>
A070B900	calibrated at 60 l/h	Without protection	recommended value 60/h recommended range 40 l/h -80 l/h permissible range 10 l/h – 120 l/h
A070B901	calibrated at 60 l/h	Protection against <b>corrosion</b>	
A070B902	calibrated at 60 l/h	Protection against <b>condensate and dust</b>	recommended value 60/h recommended range 40 l/h – 150 l/h permissible range 10 l/h – 300 l/h
A070B903	calibrated at 60 l/h	Protection against <b>corrosion, condensate, and dust</b>	
A070B907	calibrated at 10 l/h	Protection against <b>condensate and dust for low sample gas flow</b>	recommended value 10/h recommended range 3 l/h – 20 l/h permissible range 1 l/h – 60 l/h
A070B907	calibrated at 30 l/h	Protection against <b>condensate and dust for low sample gas flow</b>	recommended value 30/h recommended range 20 l/h – 40 l/h permissible range 1 l/h – 60 l/h
A070B908	calibrated at 10 l/h	Protection against <b>corrosion, condensate, and dust for low sample gas flow</b>	recommended value 10/h recommended range 3 l/h – 20 l/h permissible range 1 l/h – 60 l/h

Note: Heavier gases may have more limited flow ranges, contact Messkonzept

Note: Higher flow rates than the recommended can cause additional noise

Warning: Drastically exceeding the maximum permissible flow rates can destroy the device.

### 9.3 ENVIRONMENTAL CONDITIONS

Operating temperature	-20°C to 50°C (-4°F to 122°F) -5°C to 50°C (23°F to 122°F) with option “glass beads filling”
Storage temperature	-25°C to 70°C (-15°F to 160°F), not-condensing
Class of protection	IP65 (if cable properly plugged in)

### 9.4 ELECTRICAL SPECIFICATION

Power supply (Protective Extra Low Voltage, PELV)	24V DC (21V to 30V); typ. 500mA, max. 1A
RS232 – Baud rate / Data	19200 /8N1 (8 bits, no parity, 1 stop bit) ESD protection ±15 kV
RS485	Max. 115200 Baud/s ESD protection ±12 kV
Current Loop (active)	4 to 20mA Fully floating, max.±500V to GND 800Ohm Burden 16 bit resolution

## 9.5 DIMENSIONS

Dimensions with gas connectors	B=144 mm, H=50 mm, D=50 mm
Weight	up to 700 g

## 10 DELIVERY SCOPE

---

- FTC150
- Cable
- Manufacturing Protocol

# 11 APPENDIX

